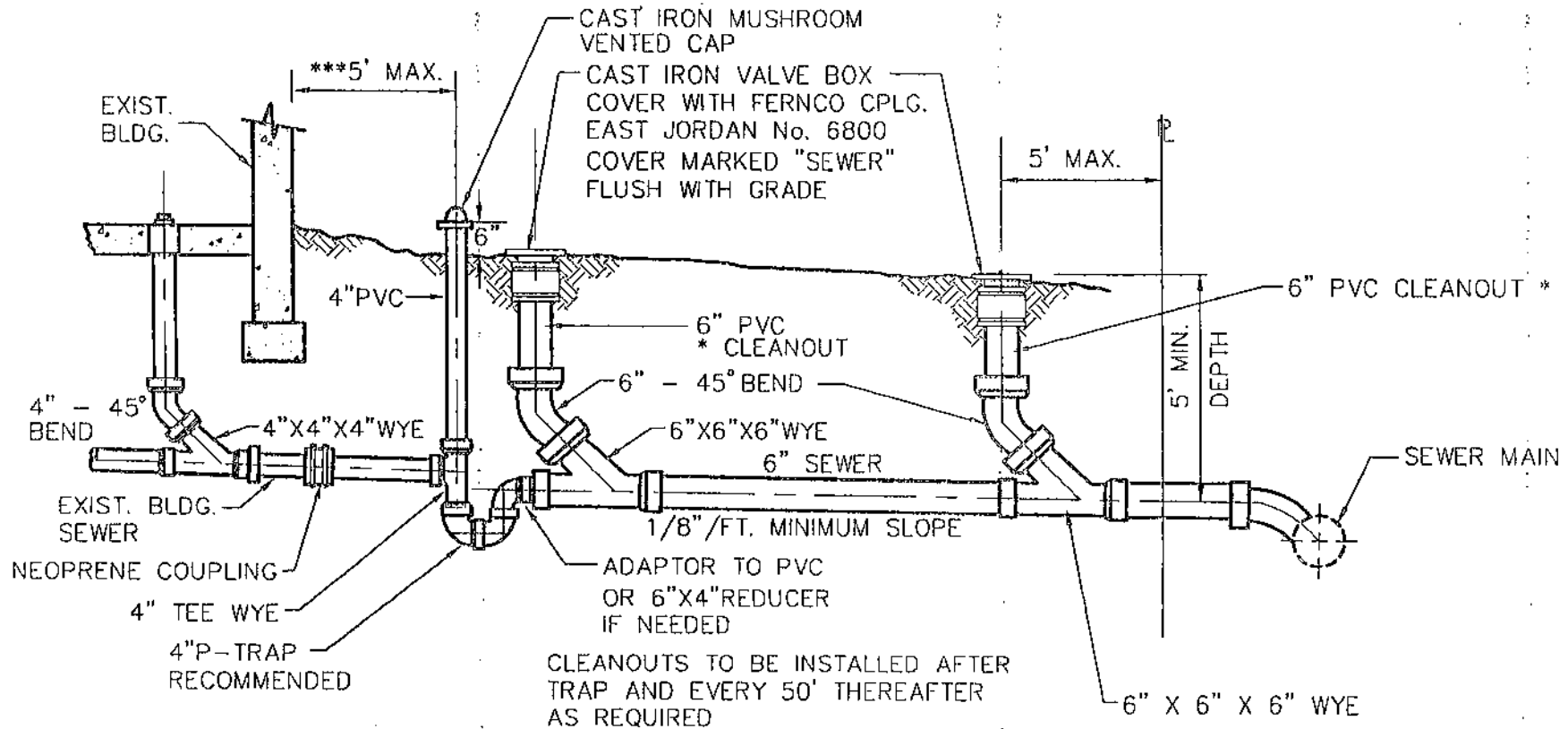


ACCEPTABLE PIPE GRADES: SDR 35 OR ASTM 3034, SCH 40 PVC MAY BE USED
WITH PRIOR APPROVAL FROM MUNICIPAL AUTHORITY



NOTE: CALL THE MUN. SANITARY AUTH. FOR SERVICE SEWER INSPECTION PRIOR TO BACKFILLING
ALL PIPE TO BE BEDDED AND SURROUNDED BY FIRMLY PACKED AASHTO 57 CRUSHED AGGREGATE
WITH A 6" MINIMUM BEDDING UNDER THE PIPE AND A 6" MINIMUM OVER TOP
SPECIFICATIONS ARE ON A SEPARATE SHEET.

* CAST IRON IF STACK IS SUBJECT TO VEHICLE TRAFFIC

*** VENT SHALL BE AT LEAST 10' AWAY FROM ANY DOOR, OPENABLE WINDOW OR OTHER AIR INTAKE OPENING

COMMERCIAL AND MULTI-FAMILY
SERVICE SEWER DETAIL

N.T.S.