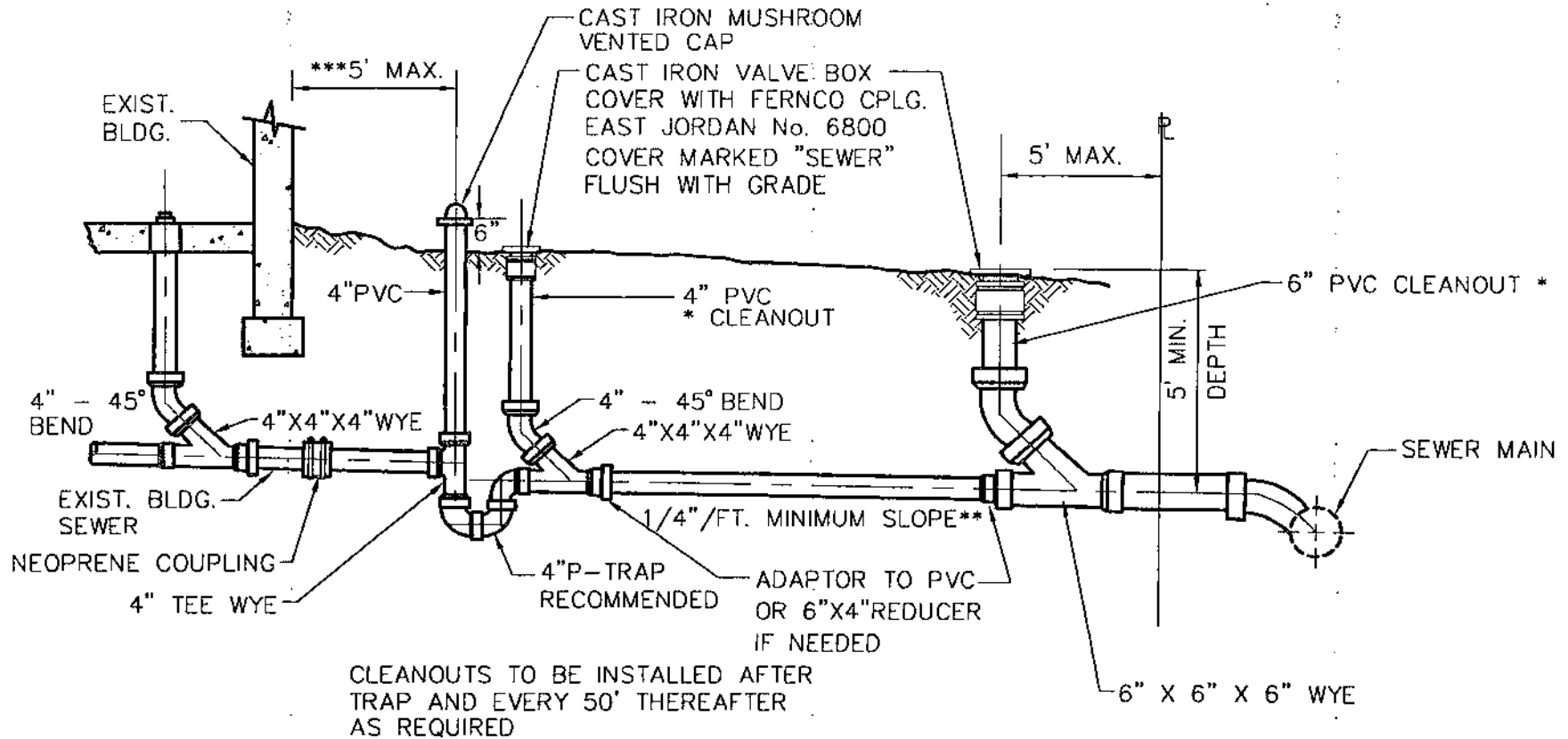


ACCEPTABLE PIPE GRADES: SDR 35 OR ASTM 3034, SCH 40 PVC MAY BE USED WITH PRIOR APPROVAL FROM MUNICIPAL AUTHORITY



CLEANOUTS TO BE INSTALLED AFTER TRAP AND EVERY 50' THEREAFTER AS REQUIRED

NOTE: CALL THE MUN. SANITARY AUTH. FOR SERVICE SEWER INSPECTION PRIOR TO BACKFILLING ALL PIPE TO BE BEDDED AND SURROUNDED BY FIRMLY PACKED AASHTO 57 CRUSHED AGGREGATE WITH A 6" MINIMUM BEDDING UNDER THE PIPE AND A 6" MINIMUM OVER TOP SPECIFICATIONS ARE ON A SEPARATE SHEET.

* CAST IRON IF STACK IS SUBJECT TO VEHICLE TRAFFIC

** 1/8" / FT. MINIMUM SLOPE WITH PRIOR APPROVAL FROM AUTHORITY

*** VENT SHALL BE AT LEAST 10' AWAY FROM ANY DOOR, OPENABLE WINDOW OR OTHER AIR INTAKE OPENING

SINGLE RESIDENTIAL
SERVICE SEWER DETAIL

N.T.S.



**Hatch Mott
MacDonald**

MUNICIPAL SANITARY AUTHORITY OF
THE CITY OF NEW KENSINGTON

DWG. No.